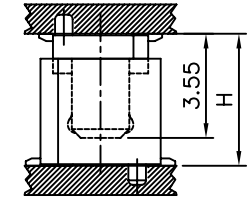
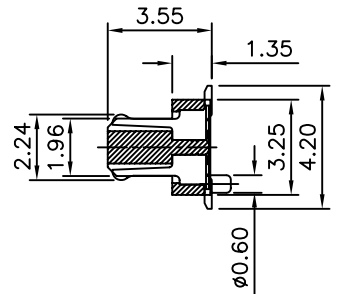
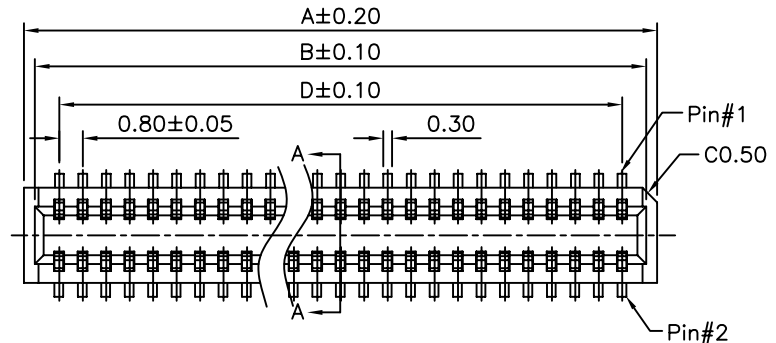
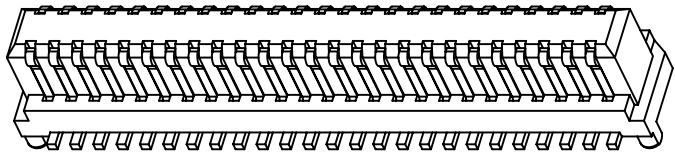


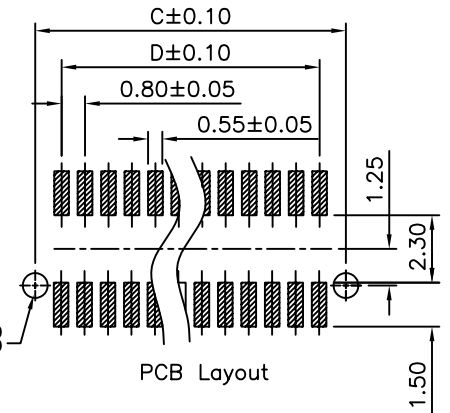
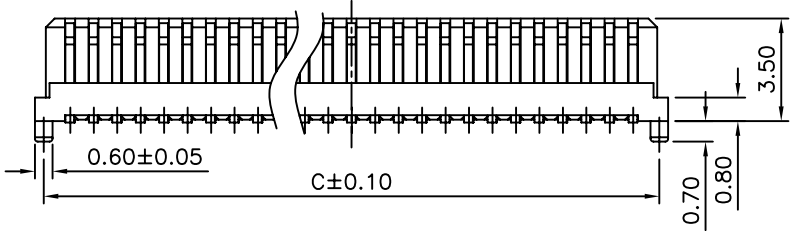
SPECIFICATIONS

Current Rating:0.5 Amp Max.
 Insulation Resistance:100 Megohms Min. At 250V DC
 Dielectric Withstanding Voltage:500V(r.m.s) AC
 At 0.5mA For 1 Minute
 Contact Resistance:20 Milliohms Max.
 Temperature Range:-40°C To 105°C
 Housing:Hi-Temp. Plastic (UL 94V-0)
 Contact:Copper Alloy,Gold Plated



Mating Draw (Ref)

Female Series No.	Dim. H
Male Series No.	1636
1632	4.5
1633	5.0
1634	6.0
1635	6.5



Pos.	A	B	C	D	Pos.	A	B	C	D
10	5.60	4.85	5.00	3.20	34	15.20	14.45	14.60	12.80
12	6.40	5.65	5.80	4.00	36	16.00	15.25	15.40	13.60
14	7.20	6.45	6.60	4.80	38	16.80	16.05	16.20	14.40
16	8.00	7.25	7.40	5.60	40	17.60	16.85	17.00	15.20
18	8.80	8.05	8.20	6.40	50	21.60	20.85	21.00	19.20
20	9.60	8.85	9.00	7.20	60	25.60	24.85	25.00	23.20
22	10.40	9.65	9.80	8.00	68	28.80	28.05	28.20	26.40
24	11.20	10.45	10.60	8.80	70	29.60	28.85	29.00	27.20
26	12.00	11.25	11.40	9.60	80	33.60	32.85	33.00	31.20
28	12.80	12.05	12.20	10.40	90	37.60	36.85	37.00	35.20
30	13.60	12.85	13.00	11.20	100	41.60	40.85	41.00	39.20
32	14.40	13.65	13.80	12.00					

4UCON 元化興業股份有限公司
 4UCON TECHNOLOGY INC.

DRAWING No.
 05412

APPROVED BY MEI
 CHECKED BY BECKY
 DRAWING BY HZF

UNLESS OTHERWISE SPECIFIED
 TOLERANCES ARE
 .X ±0.20
 .XX ±0.15
 ANG.

SCALE NONE REV. BO

UNIT mm

BO NEW RELEASE BECKY 08/03/2005
 NO.REV. REVISIONS CHK DATE