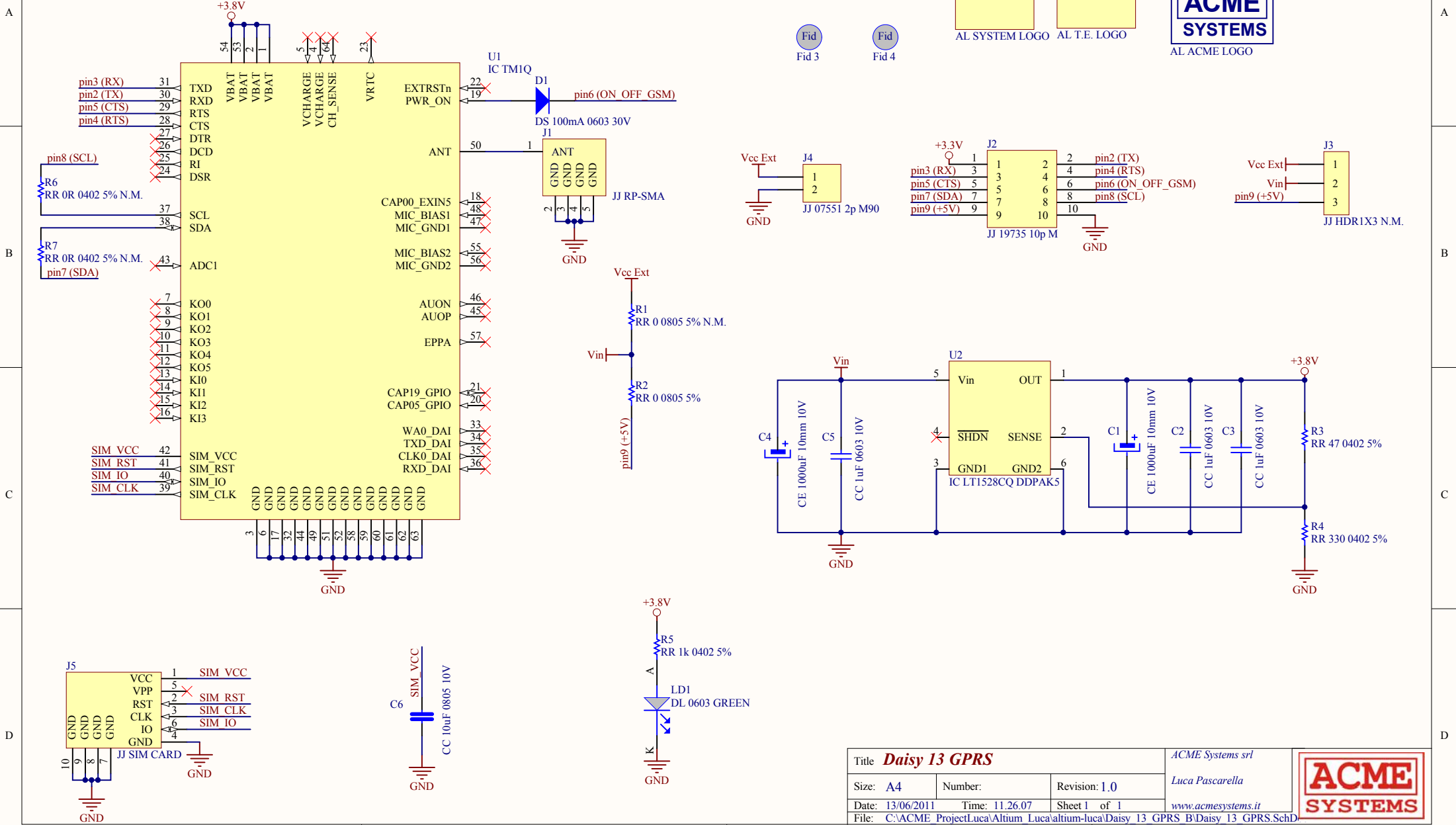
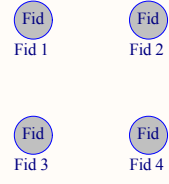


RP-SMA Antenna connector must be a FEMALE connector!



Title Daisy 13 GPRS			ACME Systems srl
Size: A4	Number:	Revision: 1.0	Luca Pascarella
Date: 13/06/2011	Time: 11.26.07	Sheet 1 of 1	www.acmesystems.it
File: C:\ACME Project\Luca\Altium_Luca\altium-luca\Daisy 13 GPRS B\Daisy 13 GPRS.SchD			ACME SYSTEMS