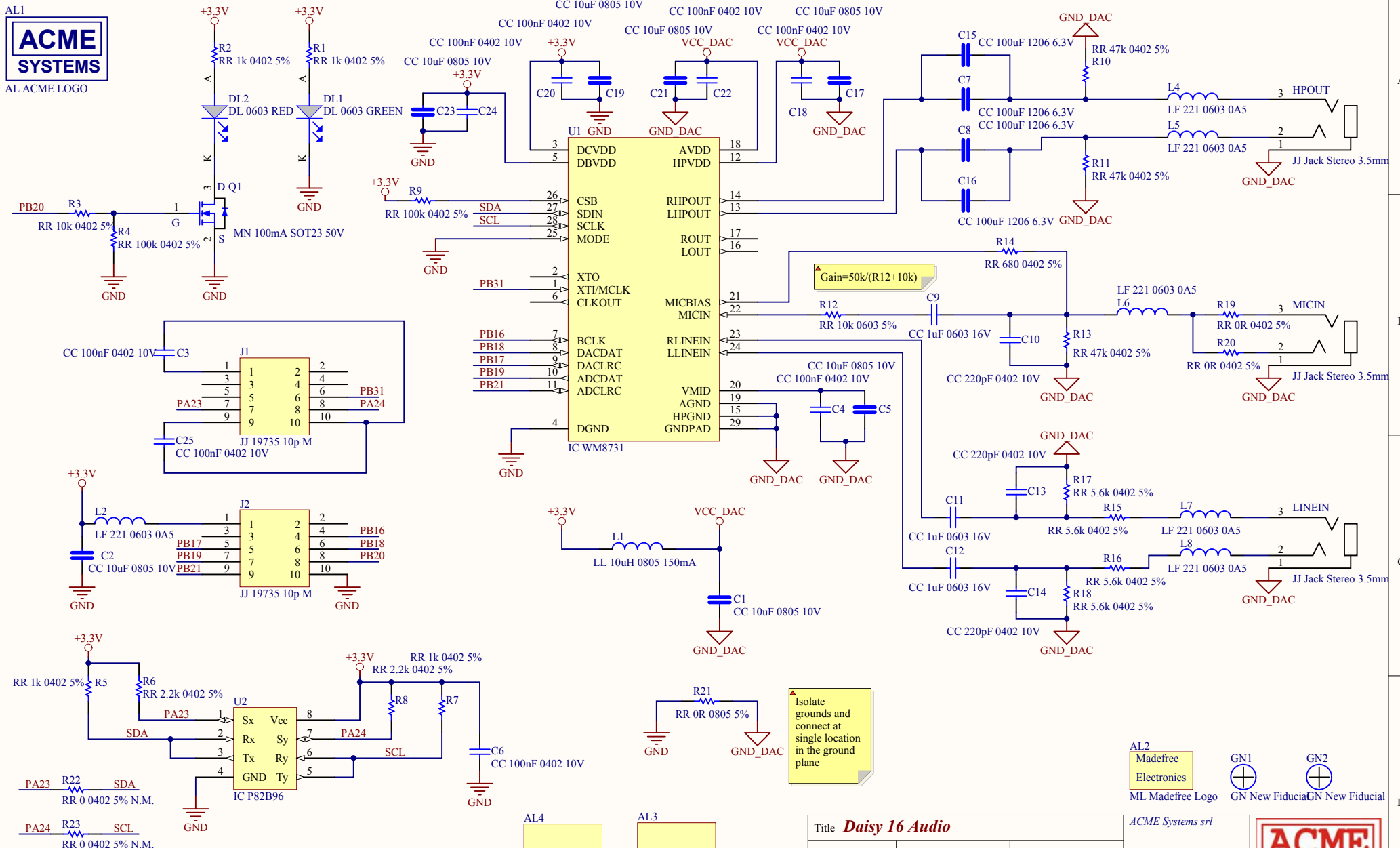
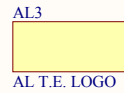
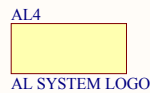




AL ACME LOGO



BufferI2C enabled: mount: U2, R5, R7; do not mount: R22, R23  
 BufferI2C disabled: do not mount: U2, R5, R7; mount: R22, R23



Isolate grounds and connect at single location in the ground plane

AL2 Madefree Electronics  
 ML Madefree Logo  
 GN1 GN2  
 GN New Fiducia GN New Fiducia

Title <b>Daisy 16 Audio</b>			ACME Systems srl
Size: <b>A4</b>	Number:	Revision: <b>1.0</b>	
Date: 03/11/2011	Time: 10.18.10	Sheet 1 of 1	www.acmesystems.it
File: E:\ACME Projects\Altium\altium-madefree\Daisy 16 Audio\Daisy 16 Audio.SchDoc			

