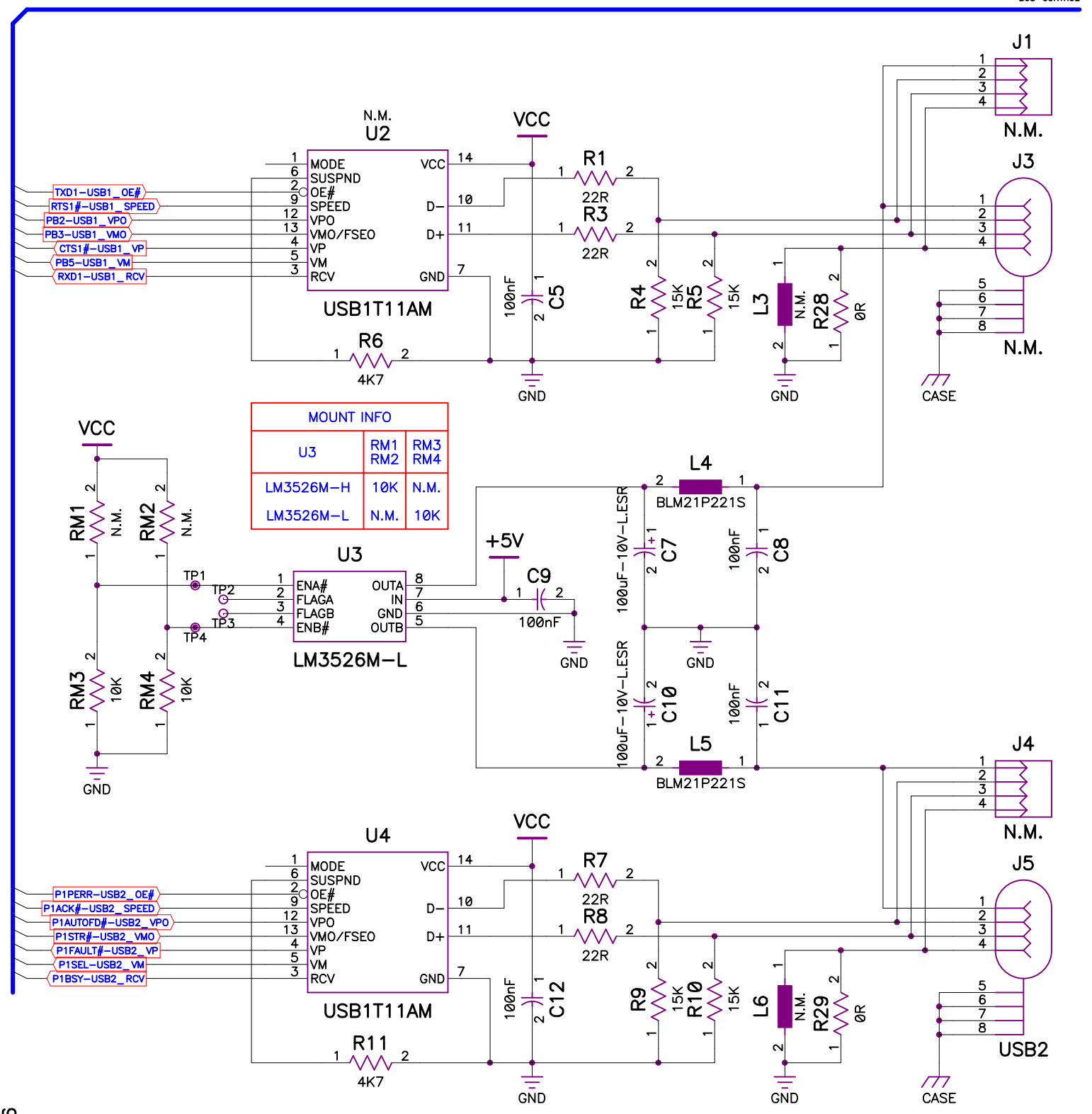
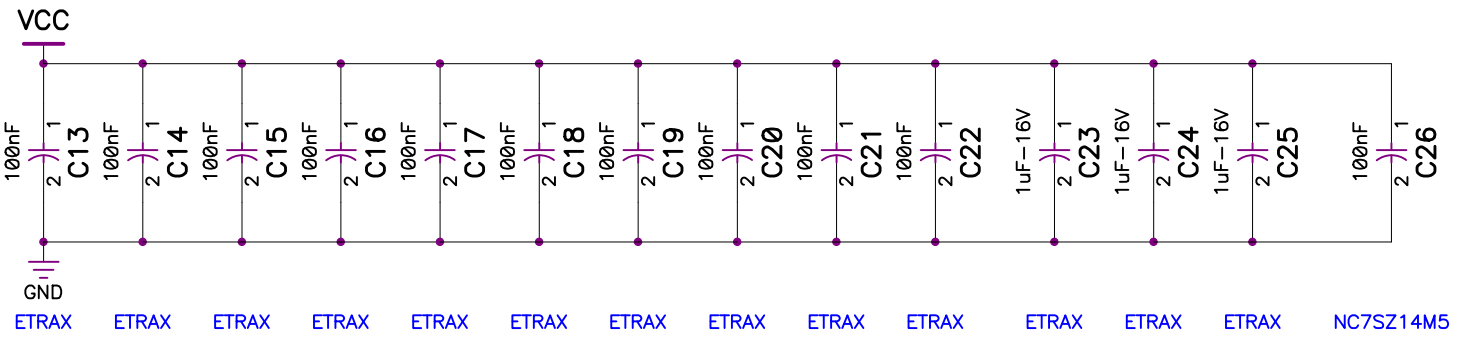


Spare Gate Table		
Last Used	Not Used	Spare Gates
C30		
D2		
DL3		
J12		
L6		
PCB1		
Q1		
R29		
RM5		
SW1		
TP5		
U6		
X1		

NOTES: UNLESS OTHERWISE SPECIFIED:
 1 ALL RESISTOR VALUE ARE IN OHMS, 1/10W, 5%
 2 ALL CAPACITOR ARE 25VDC OR HIGHER
 3 COMPONENT VALUE WITH "N.M.". : DO NOT MOUNTING

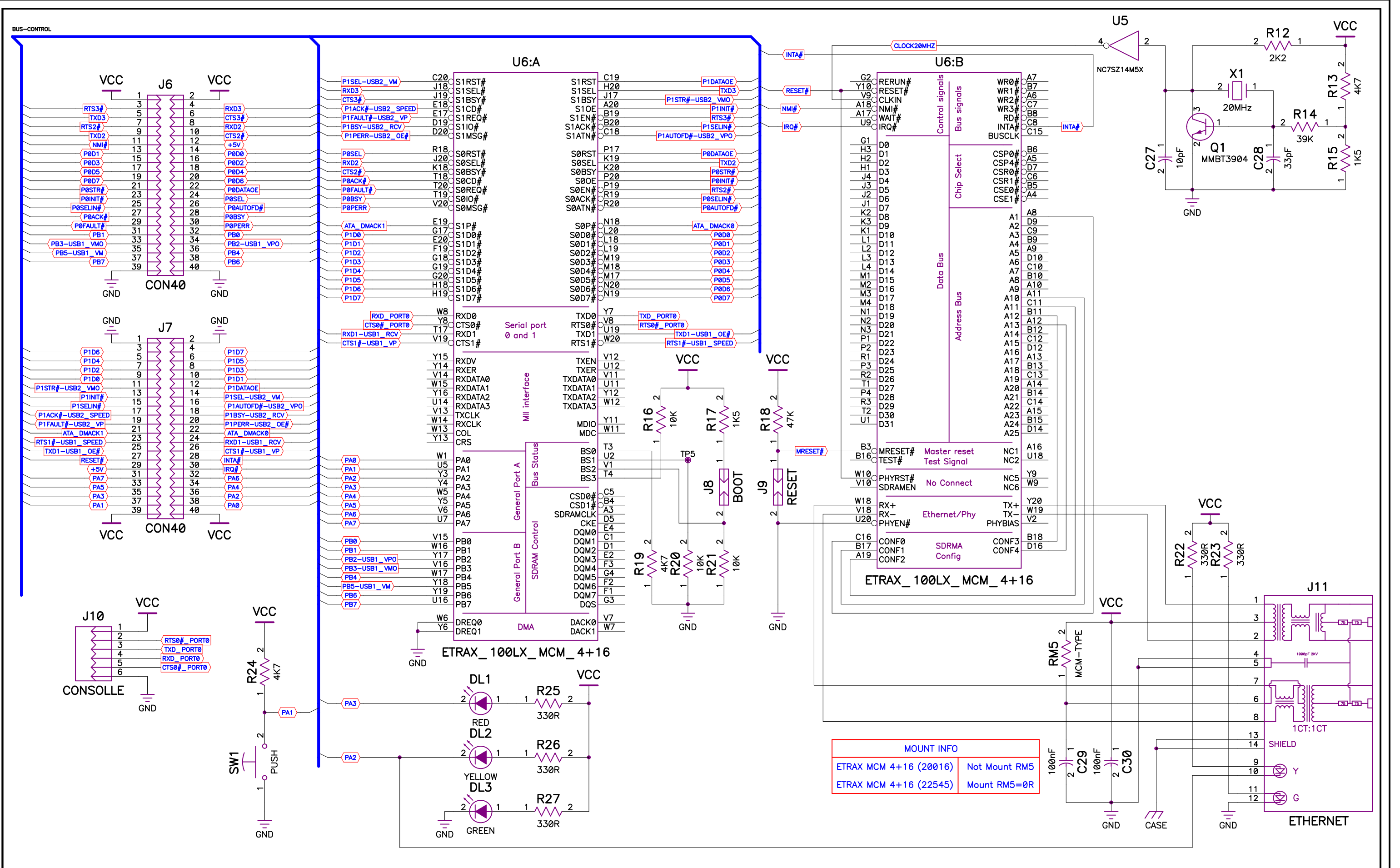
Power Table				
Ref Des	Device(Type)	Package	GND	VCC
U5	NC7SZ14M5X	SOT23-5	3	5
U6	ETRAX_100LX_MCM_4+16	BGA256_27X27_1.27	U17,U13,U8,U4,N17,N4, H17,H4,D17,D13,D8,D4, A1	U15,U10,U6,R17,R4, M20,L17,K4,F20,F17, F4,D15,D11,D6

DECOUPLING CAPACITORS



MOUNT INFO			
U3	RM1	RM2	RM3
LM3526M-H	10K	N.M.	RM4
LM3526M-L	N.M.	10K	

5	-					<p>ACME SYSTEMS srl 00198 Roma - Italy - via Adda, 111 Vat Code IT 08114831004</p> <p>Fax ++39.06.23.32.11.590 E.mail info@acmesystems.it Web Site www.acmesystems.it</p>	Title: CORE MODULE FOX			
4	-						Sheet: POWER - USB			
3	-						Size A3	Customer Number CDM1	Drawing Number 110.100.117.00	Rev 0
2	-						Date: Wed Jan 05, 2005 Time: 11:11:38		Author: S. Gentile	
1	-						Date: Wed Jan 05, 2005 Time: 11:11:38		Author: S. Gentile	
Rev.N.	Revision note	Drawn by	Checked by	Approved by	Date	THE COPYRIGHT OF THIS DRAWING IS RESERVED BY ACME SYSTEMS srl		Filename: 11020011700.SCH	Sheet 1 of 2	



MOUNT INFO

ETRAX MCM 4+16 (20016)	Not Mount RM5
ETRAX MCM 4+16 (22545)	Mount RM5=0R

5	-	-	-	-	-	<p>ACME SYSTEMS srl 00198 Roma - Italy - via Adda, 111 Vat Code IT 08114831004</p> <p>Fax ++39.06.23.32.11.590 E.mail info@acmesystems.it Web Site www.acmesystems.it</p>	Title: CORE MODULE FOX			
4	-	-	-	-	Sheet: ETRAX - ETHERNET - I/O		Size: A3	Customer Number: CDM1	Drawing Number: 110.100.117.00	Rev: 0
3	-	-	-	-	Date: Wed Jan 05, 2005		Time: 11:11:38	Author: S. Gentile		
2	-	-	-	-	Filename: 11020011700.SCH			Sheet 2 of 2		
1	-	-	-	-						
Rev.N.	Revision note	Drawn by	Checked by	Approved by	Date	THE COPYRIGHT OF THIS DRAWING IS RESERVED BY ACME SYSTEMS srl				