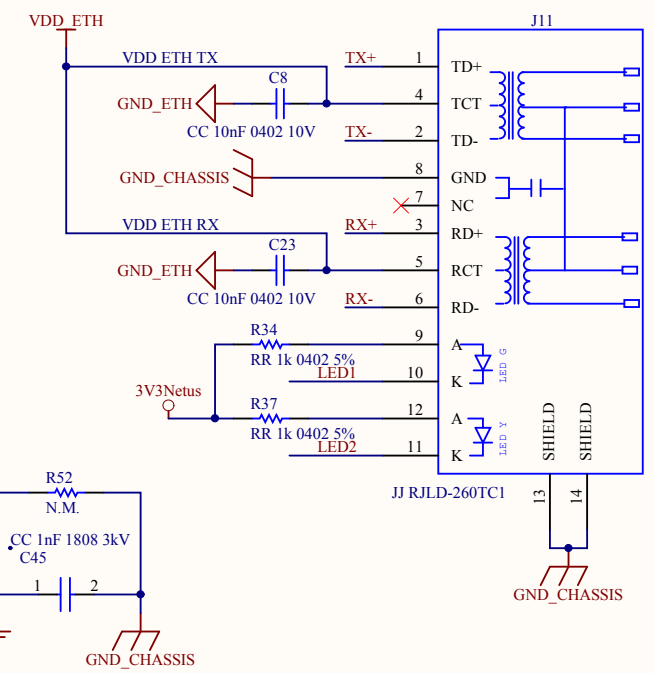
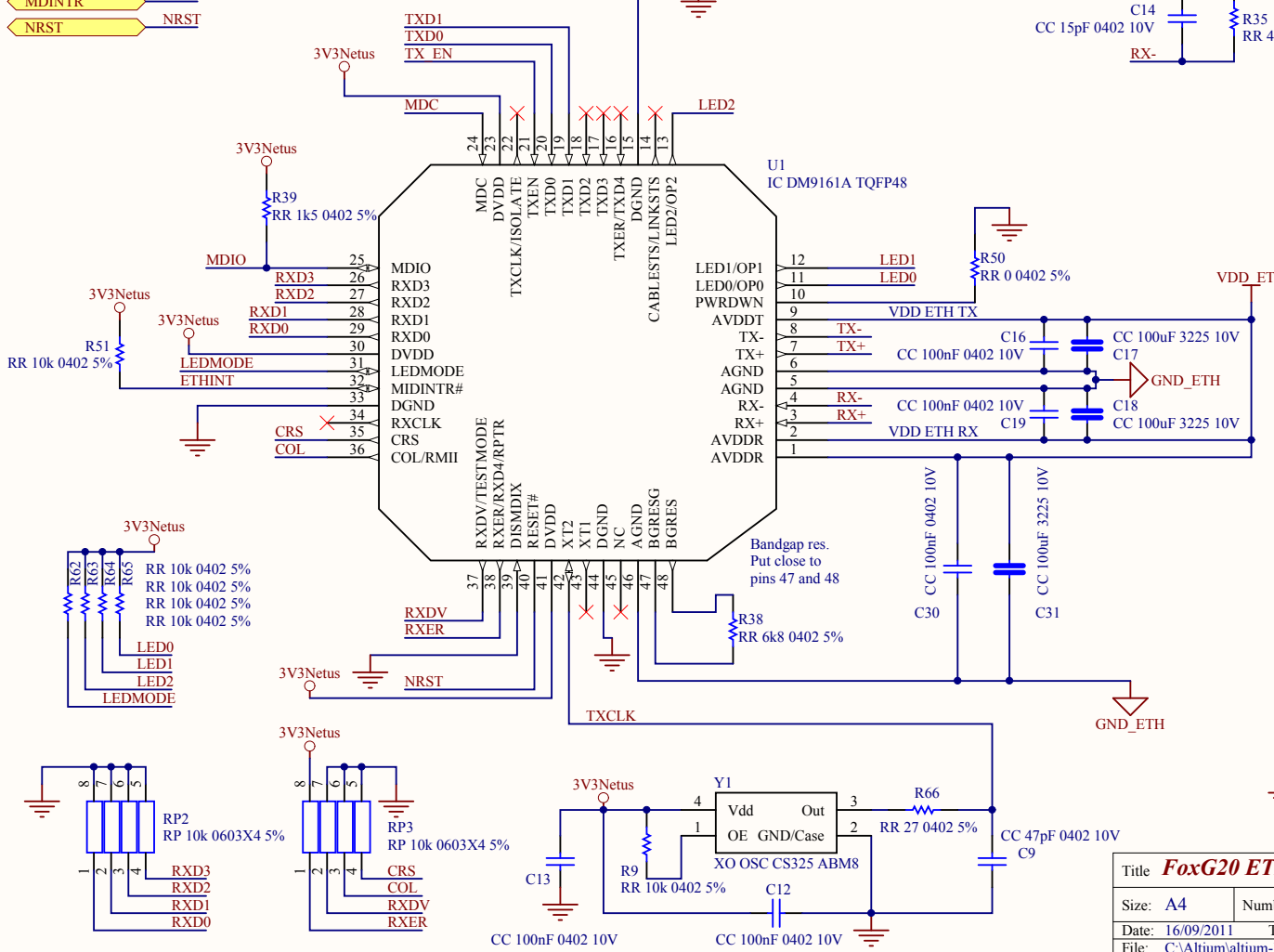
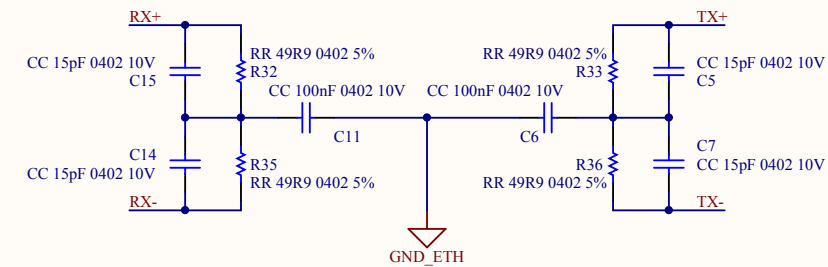
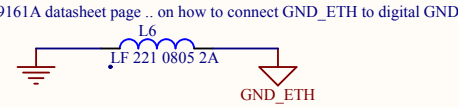
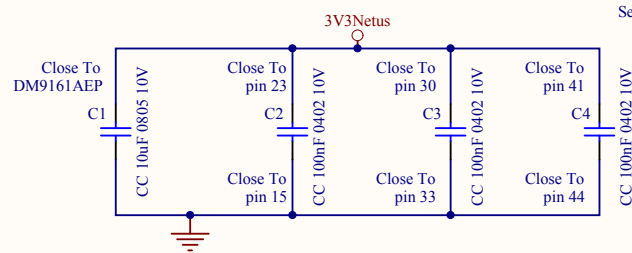


- TXCLK PA19 TXCLK
- TXD1 PA13 TXD1
- TXD0 PA12 TXD0
- TXEN PA16 TX_EN
- RXD1 PA15 RXD1
- RXD0 PA14 RXD0
- RXDV PA17 RXDV
- RXER PA18 RXER
- MDC PA20 MDC
- MDIO PA21 MDIO
- MDINTR ETHINT
- NRST NRST



Title FoxG20 ETH			ACME Systems srl design by Roberto Asquini Luca Pascarella www.acmesystems.it	
Size: A4	Number:	Revision: 1.3		
Date: 16/09/2011	Time: 15.26.49	Sheet 2 of 2		
File: C:\Altium\altium-luca\foxg20\FoxG20_4\Schematics\FoxG20_4_Eth.SchDoc				