

1

2

3

4

A

A

B

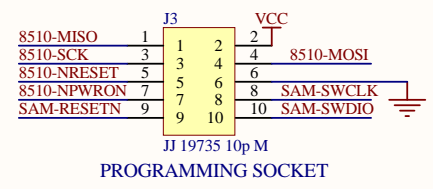
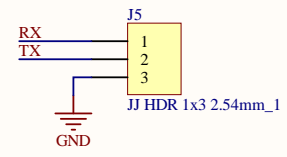
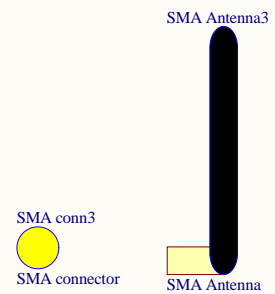
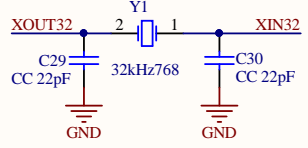
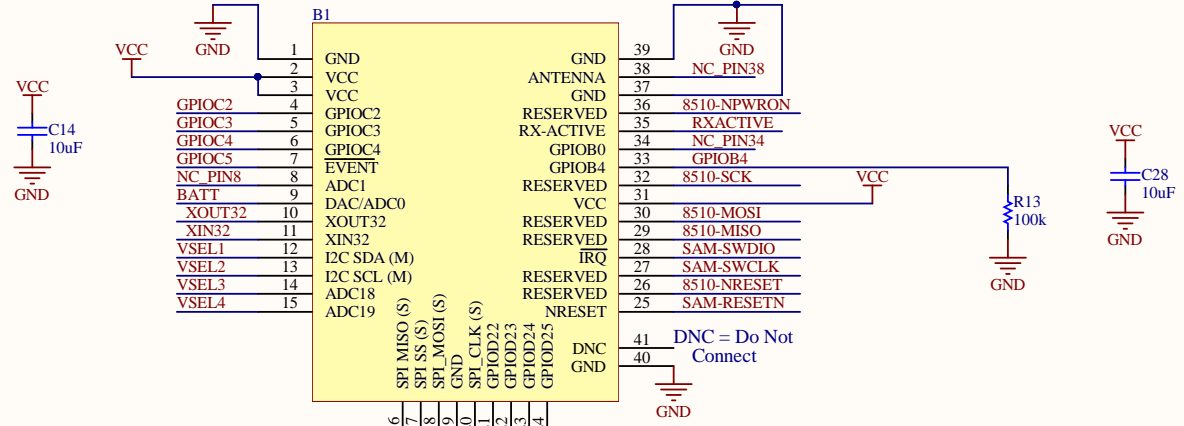
B

C

C

D

D



Title ACME-SYN-01_YARM			ACME Systems srl
Size: A4	Number:	Revision:	www.acmesystems.it
Date: 3/21/2017	Time: 4:31:36 PM	Sheet 4 of	
File: C:\Users\tanzilli\Desktop\Progetti PCB\ACME-SYN-01\ACME-SYN-01_YARM.SchDoc			



1

2

3

4