

泉州市海通电子有限公司

承 认 书

SPECIFICATION FOR APPROVAL

客 户

CUSTOMER: _____

品 名

DESCRIPTION: SWITCHING POWER SUPPLY (电源供应器)

规 格

SPECIFICATION: ADPA05 (5.0V/1A/5W)

日 期

DATE: 2008-02-22

客户确认: (Customer APPROVAL)

开关电源适配器电气规格 Specification of switching power Adaptor (Model: HTSW-ADPA05)

PROPRIETARY INFORMATION: PROPRIETARY HAITONG ELECTRONIC CO., LTD. ANY REPRODUCTION, DISCLOSURE OR USE OF THIS DRAWING IN WHOLE OR IN PART, IS HEREBY PROHIBITED EXCEPT AS SPECIFIED IN WRITING BY HAITONG ELECTRONIC CO., LTD.	REVISION			
	REV	DESCRIPTION	DATE	APPROVED
	A	INITIAL RELEASE	200-02-22	
	B	REDRAW TO NEW FORMAT,		

1. ELECTRICAL SPECIFICATION:	
(电气规格)	
1.1 INPUT (输入)	
INPUT VOLTAGE:	110Vac TO 240Vac
(输入电压)	110Vac TO 240Vac
INPUT CURRENT:	<0.2Arms AT 90Vac INPUT
(输入电流)	在 90V 输入时<0.2Arms
INPUT FREQUENCY:	47Hz-63Hz
(输入频率)	47Hz-63Hz
1.2 OUTPUT (输出)	
OUTPUT VOLTAGE:	5.0VDC
(输出电压)	5.0VDC
OUTPUT CURRENT:	0.01 ~1A, min Load To Full Load,
(输出电流)	0.01~1A, 最小负载至满载,
RATED OUTPUT POWER:	5Watts, Maximum
(额定输出功率)	5W, 最大
OUTPUT REGULATION:	+/-5% measureat the output connector
(输出调整率)	在输出连接端为+/-5%
LNE VOLTAGE REGULATION:	+/-1% typical measured at full load
(线性电压调整率)	在满载条件下为+/- 1%
HIGH FREQ. OUTPUT RIPPLE:	1% of output voltage, peak to peak, typical
(高频输出纹波)	输出电压的 1%, 峰值至峰值测试
TURN-ON/TURN-OFF OVERSHOOT:	5% maximum, 1mS typical recovery time for 25% step load
(开机, 关机电压过冲)	5% 最大, 在 25%负载时 1mS 即恢复
TURN-ON DELAY TIME:	1 second, typical
(开机延迟时间)	1 秒
HOLD-UP TIME:	10mS typical at on minal input voltage and full load
(关机维持时间)	在最低输入电压及满载条件下为 10mS
INRUSH CURRENT:	15A typical at 115Vac input and 30A typical at 230Vac input
(突入电流)	在 115Vac 输入时为 15A; 在 230Vac 输入时为 30A
SWITCHING FREQUENCY:	60KHz RCC circuit model
(转换频率)	60KHZ, RCC 电路结构
EFFICIENCY:	60% typical at nominal input and full load
(效率)	在正常输入及满载条件下为 60%

1.2 Static output characteristics		静态输出特性			
Voltage name 电压名称	Load RANGE 负载范围			OUTPUT REGULATION 输出电压范围	RIPPLE & NOISE
	min	Max	Peak		Max mVp-p
+5.00V out	0.05A	1.0A	1.2A	+5% -5%	50mv
DC OUTPUT Total power:		5Watts max.			
RIPPLE & NOISE 测试: 必须用一只 10uF / 50V 电能电容和一只 0.1uF / 100V 涤纶电容一起并接于被测试的电压输出端子, 示波器带宽应有 20MHz					

DWG TITLE: SWITCHING POWER ADAPTOR 5 Watt. 5V@1A, SINGLE OUTPUT. Wall TYPE INPUT, ITE, CLASS II FE;			
HAITONG ELECTRONIC (QUANZHOU) CO., LTD	MODEL NO:	ADPA05	REV: 1.0
泉州市海通电子设备有限公司	PART NO:		SHEET 2 of 14

开关电源适配器电气规格 Specification of switching power Adaptor (Model: HTSW-ADPA05)

PROPRIETARY INFORMATION: PROPRIETARY HAITONG ELECTRONIC CO., LTD. ANY REPRODUCTION, DISCLOSURE OR USE OF THIS DRAWING IN WHOLE OR IN PART, IS HEREBY PROHIBITED EXCEPT AS SPECIFIED IN WRITING BY HAITONG ELECTRONIC CO., LTD.	REVISION			
	REV	DESCRIPTION	DATE	APPROVED
	A	INITIAL RELEASE	200-02-22	
	B	REDRAW TO NEW FORMAT,		

1.3 PROTECTION(保护) OVER-VOLTAGE PROTECTION : (过电压保护) OVER-LOAD: (超负载保护) SHORT CIRCUIT: (短路保护) INPUT PROTECTION: (输入保护)	Voltage limited to less than 130%, crowbar method, 输出电压>130%额定电压时,保护电路动作电源无电压输出 Constant current method 恒定电流法 Momentary short circuit protectd,output will autorecover upon removal of short 输出瞬间短路保护,纠正后自动恢复 Input fusing;line fusing; 输入保险丝,线路保险丝
1.4 SAFETY(安全性) DIELECTRIC WITHSTAND VOLTAGE For CLASS II WITH FUNCTIONAL EARTH VERSIONS: (符合 CLASS II 标准的接地绝缘电压) EARTH LEAKAGE CURRENT: (对地漏电流)	3000Vac /60s/3mA From primary to secondary 从初级至次级的耐电压为 3000Vac/60s/3mA <250uA at 264Vac input voltage 在 264Vac 输入电压时<250uA
1.5 安规及 EMI 设计依据 Design basis for the Safe standard and EMI ITE UNITS: Safe standard (安规) EMI: (EMI 标准)	According as TUV to EN60950 and UL60950 依据 TUV 文件中的 EN60950 及 UL60950 来设计 Complies with EN55022 CLASS B and FCC part 15 CLASS B 依据 EN55022 CLASS B 标准及 FCC 文件中第 15 部份的 CLASS B 标准。
1.6 OTHERS(其他) MTBF: (寿命) OPERATING TEMPERATURE: (操作温度) HUMIDITY: (湿度) STORAGE TEMPERATURE: (贮藏温度)	Greater than 30000 hours at 25°C ambient temperature nominal line and full load per mil-217 standard 在 25°C 时寿命>30000 小时 0°C~40°C AMBIENT TEMPERATURE 0°C~40°C 0%~90% relative humidity 相对湿度为 0%~90% -10°C~80°C -10°C~80°C

DWG TITLE: SWITCHING POWER ADAPTOR 5 Watt. 5V@1A, SINGLE OUTPUT. Wall TYPE INPUT, ITE, CLASS II FE;			
HAITONG ELECTRONIC (QUANZHOU) CO., LTD	MODEL NO:	ADPA05	REV:1.0
泉州市海通电子设备有限公司	PART NO:		SHEET 3 of 14

开关电源适配器电气规格 Specification of switching power Adaptor (Model: HTSW-ADPA05)

PROPRIETARY INFORMATION: PROPRIETARY HAITONG ELECTRONIC CO., LTD. ANY REPRODUCTION, DISCLOSURE OR USE OF THIS DRAWING IN WHOLE OR IN PART, IS HEREBY PROHIBITED EXCEPT AS SPECIFIED IN WRITING BY HAITONG ELECTRONIC CO., LTD.	REVISION			
	REV	DESCRIPTION	DATE	APPROVED
	A	INITIAL RELEASE	200-02-22	
	B	REDRAW TO NEW FORMAT,		

2. ENCLOSURE/INPUT CONNECTOR CONFIGURATION(外壳及输入连接构造)

Dimensions are in mm unless specified otherwise (无特殊规定, 测量单位为毫米)

Upper housing: high impact plastic, 94V0 polycarbonate, non-vented, color black

上盖: 高压注塑外壳, 94V0 聚碳酸酯, 无通风孔, 黑色

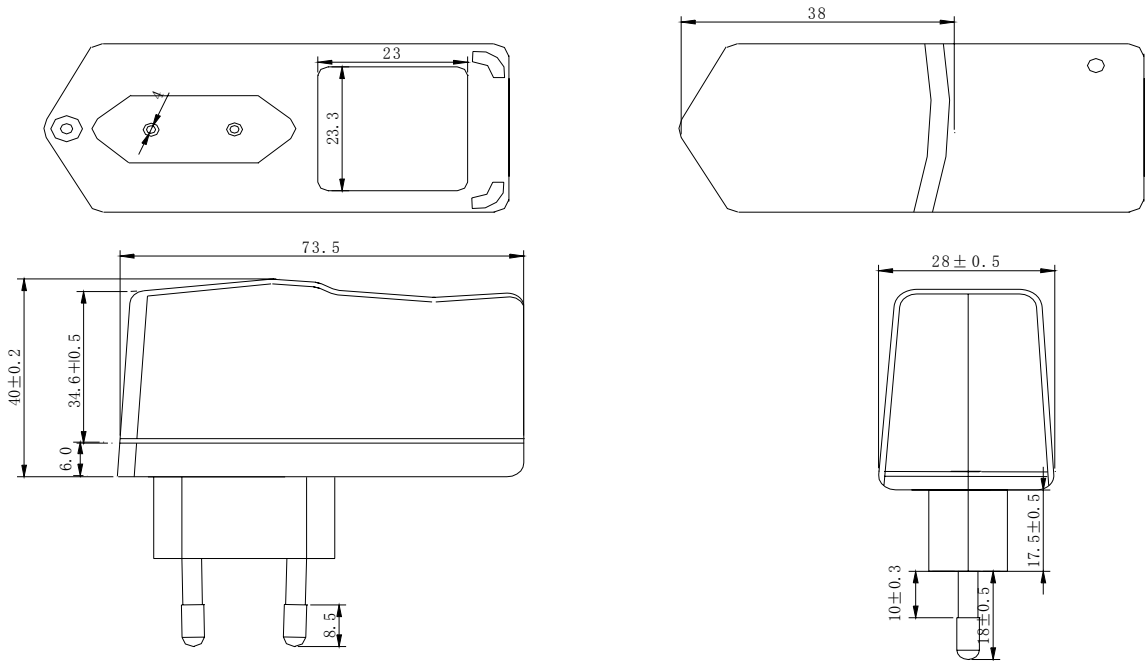
Lower housing: high impact plastic 94V0 polycarbonate, non-vented, color black

下盖: 高压注塑外壳, 94V0 聚碳酸酯, 无通风孔, 黑色

2.1 DESKTOP CLASS II (-T2):

SIZE: 73.5*28*40mm (尺寸: 73.5*28*40mm)

Product net weight: 90g/pcs. (净重: 90g/pcs)



DWG TITLE: SWITCHING POWER ADAPTOR 5 Watt. 5V@1A, SINGLE OUTPUT. Wall TYPE INPUT, ITE, CLASS II FE;			
HAITONG ELECTRONIC (QUANZHOU) CO., LTD	MODEL NO:	ADPA05	REV: 1.0
泉州市海通电子设备有限公司	PART NO:		SHEET 4 of 14

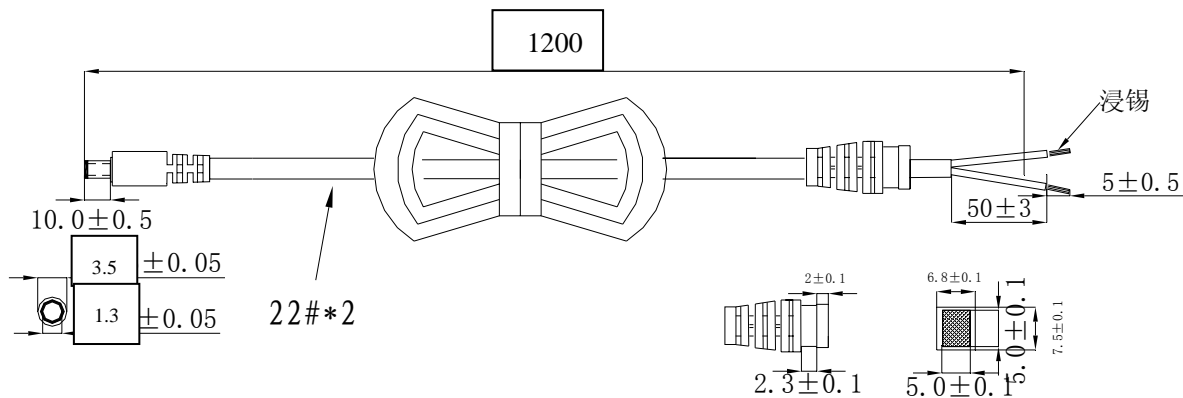
开关电源适配器电气规格 Specification of switching power Adaptor (Model: HTSW-ADPA05)

PROPRIETARY INFORMATION: PROPRIETARY HAITONG ELECTRONIC CO., LTD. ANY REPRODUCTION, DISCLOSURE OR USE OF THIS DRAWING IN WHOLE OR IN PART, IS HEREBY PROHIBITED EXCEPT AS SPECIFIED IN WRITING BY HAITONG ELECTRONIC CO., LTD.	REVISION			
	REV	DESCRIPTION	DATE	APPROVED
	A	INITIAL RELEASE	200-02-22	
	B	REDRAW TO NEW FORMAT,		

3. OUTPUT CORD: (输出线)

2 conductor, 18 AWG stranded wire, flat UL2468 cord type, color black, length(L) of cord: 1120+100, -0mm. Cord is measured from the housing to the end of overmold of the connector. Cable is to be marked with wire gauge, and all applicable rating and safety approvals.

2 条, 22 号铜线。线规符合 UL2468, 黑色, 线长 1500 +100, -0mm。线的测量距离从机壳至连接器的塑模末端。线上标注有线的规格和所有适用等级及安规认证。



4. OUTPUT CONNECTOR: 输出连接器:

Standard, straight female barrel 3.5mm*1.3mm*10mm center anode

标准规格, 直母插, 插头尺寸为 3.5mm*1.3mm*10mm 中心为正极。

DWG TITLE: SWITCHING POWER ADAPTOR 5 Watt. 5V@1A, SINGLE OUTPUT. Wall TYPE INPUT, ITE, CLASS II FE;			
HAITONG ELECTRONIC (QUANZHOU) CO., LTD	MODEL NO:	ADPA05	REV: 1.0
泉州市海通电子设备有限公司	PART NO:		SHEET 5 of 14

开关电源适配器电气规格 Specification of switching power Adaptor (Model: HTSW-ADPA05)

PROPRIETARY INFORMATION: PROPRIETARY HAITONG ELECTRONIC CO., LTD. ANY REPRODUCTION, DISCLOSURE OR USE OF THIS DRAWING IN WHOLE OR IN PART, IS HEREBY PROHIBITED EXCEPT AS SPECIFIED IN WRITING BY HAITONG ELECTRONIC CO., LTD.	REVISION			
	REV	DESCRIPTION	DATE	APPROVED
	A	INITIAL RELEASE	200-02-22	
	B	REDRAW TO NEW FORMAT,		

5. LABEL: 标签

Material: .007(0.18) thick flat thermal transfer, imprintable, white or gray polyester sheet with black nomenclature.

材料: .007 (0.18) 厚热转移, 非印刷的, 白色或灰色聚酯薄纸上配予黑字。

MANUFACTURER: Steven label, material ID NO. 3302-33, UL FILE NO. MH1282(N). UL material designation file NO. GHW332RL. Optional label material can be substituted providing. Material is UL listed and complies with applicable safety requirements.

制造商: 材料 ID 号为 3302-33, UL 文件号为 MH1282 (N). UL 材料设计文件号为 GHW332RL. 可选用的标签材料可代替 UL 列表中的材料。且此材料符合所需的安规认证。

CAUTION: FOR INDOOR USE ONLY

警告: 只适合于室内使用。

ATTENTION: POUR UTILISATION A L'INTERIEUR SEULEMENT

注意: *****

22.80 mm



22.40 mm

DWG TITLE: SWITCHING POWER ADAPTOR 5 Watt. 5V@1A, SINGLE OUTPUT.
Wall TYPE INPUT, ITE, CLASS II FE;

HAITONG ELECTRONIC (QUANZHOU) CO., LTD	MODEL NO:	ADPA05	REV: 1.0
泉州市海通电子设备有限公司	PART NO:		SHEET 6 of 14

开关电源适配器电气规格 Specification of switching power Adaptor (Model: HTSW-ADPA05)

PROPRIETARY INFORMATION: PROPRIETARY HAITONG ELECTRONIC CO., LTD. ANY REPRODUCTION, DISCLOSURE OR USE OF THIS DRAWING IN WHOLE OR IN PART, IS HEREBY PROHIBITED EXCEPT AS SPECIFIED IN WRITING BY HAITONG ELECTRONIC CO., LTD.	REVISION			
	REV	DESCRIPTION	DATE	APPROVED
	A	INITIAL RELEASE	200-02-22	
	B	REDRAW TO NEW FORMAT,		

6. INDIVIDUAL PACKING BOX: 独立包装盒

MATERIAL: corrugated fiberboard, F-Flute 0.8(2.0) thick, double wall construction.

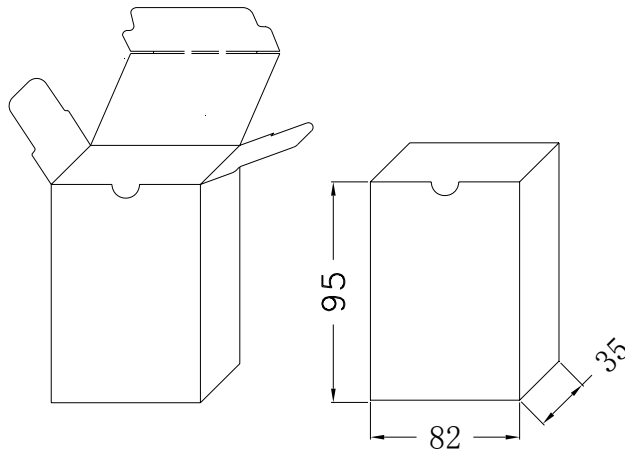
材料: 波状纤维板, F-FLUTE 凹槽厚为 0.8 (2.0), 双面档墙结构。

EXTERNAL FINISH: white, coated with gloss finish (aqueous or varnish)

外表: 白色, 外表经过打光处理 (水或凡立水)

STYLE: Tuck sides with locking tabs on both sides of box. No printing on the outside of box.

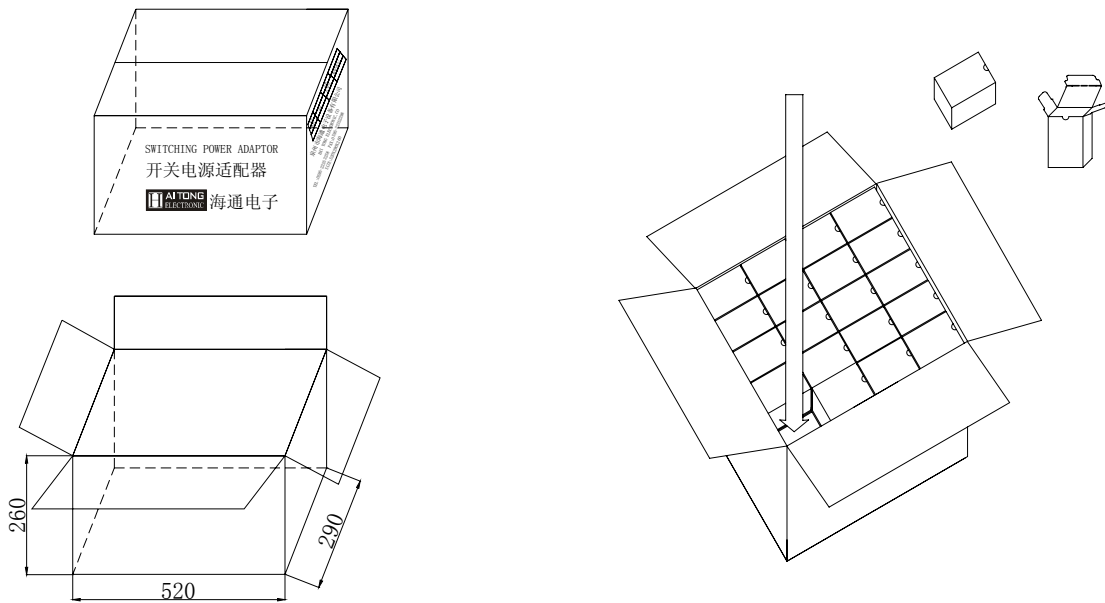
设计: 沿边缘的虚线将纸壳折起, 纸壳外表无印花。



7. INDIVIDUAL PACKING BOX: 成品外包装箱:

MATERIAL: corrugated fiberboard, F-Flute 0.8(2.0) thick, double wall construction.

材料: 波状纤维板, F-FLUTE 凹槽厚为 0.8 (2.0), 双面档墙结构。 120PCS 每箱;

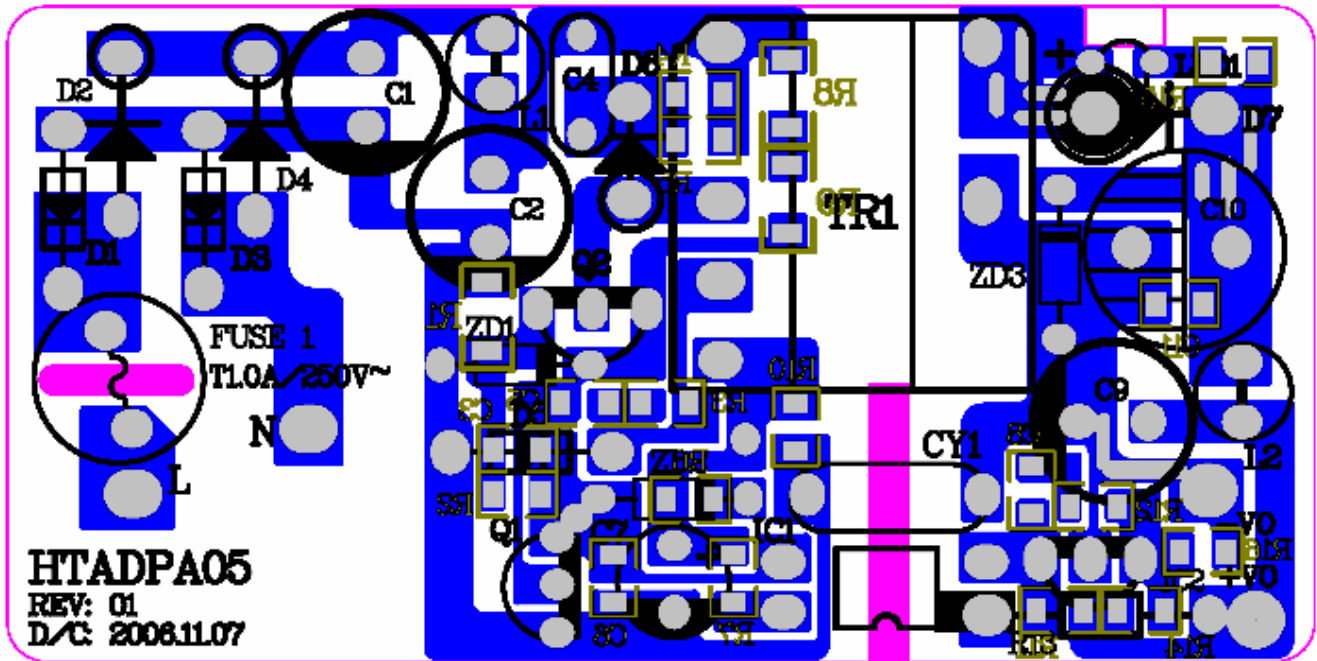


DWG TITLE: SWITCHING POWER ADAPTOR 5 Watt. 5V@1A, SINGLE OUTPUT. Wall TYPE INPUT, ITE, CLASS II FE;			
HAITONG ELECTRONIC (QUANZHOU) CO., LTD	MODEL NO:	ADPA05	REV: 1.0
泉州市海通电子设备有限公司	PART NO:		SHEET 7 of 14

开关电源适配器电气规格 Specification of switching power Adaptor (Model: HTSW-ADPA05)

PROPRIETARY INFORMATION: PROPRIETARY HAITONG ELECTRONIC CO., LTD. ANY REPRODUCTION, DISCLOSURE OR USE OF THIS DRAWING IN WHOLE OR IN PART, IS HEREBY PROHIBITED EXCEPT AS SPECIFIED IN WRITING BY HAITONG ELECTRONIC CO., LTD.	REVISION			
	REV	DESCRIPTION	DATE	APPROVED
	A	INITIAL RELEASE	200-02-22	
	B	REDRAW TO NEW FORMAT,		

8. 产品 PCB 元件序号丝印图: Silk-screen drawingA for the Component sequence number on the PCB.



DWG TITLE: SWITCHING POWER ADAPTOR 5 Watt. 5V@1A, SINGLE OUTPUT. Wall TYPE INPUT, ITE, CLASS II FE;			
HAITONG ELECTRONIC (QUANZHOU) CO., LTD	MODEL NO:	ADPA05	REV:1.0
泉州市海通电子设备有限公司	PART NO:		SHEET 8 of 14

开关电源适配器电气规格 Specification of switching power Adaptor (Model: HTSW-ADPA05)

PROPRIETARY INFORMATION: PROPRIETARY HAITONG ELECTRONIC CO., LTD. ANY REPRODUCTION, DISCLOSURE OR USE OF THIS DRAWING IN WHOLE OR IN PART, IS HEREBY PROHIBITED EXCEPT AS SPECIFIED IN WRITING BY HAITONG ELECTRONIC CO., LTD.	REVISION			
	REV	DESCRIPTION	DATE	APPROVED
	A	INITIAL RELEASE	200-02-22	
	B	REDRAW TO NEW FORMAT,		

9. 产品成品外观图:



DWG TITLE: SWITCHING POWER ADAPTOR 5 Watt. 5V@1A, SINGLE OUTPUT. Wall TYPE INPUT, ITE, CLASS II FE;			
HAITONG ELECTRONIC (QUANZHOU) CO., LTD 泉州市海通电子设备有限公司	MODEL NO: PART NO:	ADPA05	REV:1.0 SHEET 9 of 14

开关电源适配器电气规格 Specification of switching power Adaptor (Model: HTSW-ADPA05)

PROPRIETARY INFORMATION: PROPRIETARY HAITONG ELECTRONIC CO., LTD. ANY REPRODUCTION, DISCLOSURE OR USE OF THIS DRAWING IN WHOLE OR IN PART, IS HEREBY PROHIBITED EXCEPT AS SPECIFIED IN WRITING BY HAITONG ELECTRONIC CO., LTD.	REVISION			
	REV	DESCRIPTION	DATE	APPROVED
	A	INITIAL RELEASE	200-02-22	
	B	REDRAW TO NEW FORMAT,		

10. Power Adaptor Sample Test Report
 Test Date: 2006-12-19 Report No.: Adaptor HTSWD20061219
 Specification: AC input:90~270Vac DC output:5.0Vdc/1.0A (Voltage Range: 4.75Vdc ~5.25Vdc)
 Test equipment and instrument: Programmable AC Power Source+Programmable AC Power Electronic Load+Digital Stotage Oscilloscope+Temperature Test instrument

Test Item	Test Condition	Check Item	CHARGER PCB 01#	CHARGER PCB 02#	CHARGER PCB 03#	CHARGER PCB 04#
1: AC Input 90V/50Hz						
DC Output 0.05A Load (DC output no load)		OutputValtageValue(Unit:V)				
		ripple&noise (Unit:mV)				
		Input AC Power (Unit:W)				
DC Output 50% max Load (DC output 0.5A load)		OutputValtageValue(Unit:V)				
		ripple&noise (Unit:mV)				
		Input AC Power (Unit:W)				
DC Output 100% Load (DC output 1.0A load)		OutputValtage Value(Unit:V)				
		ripple&noise (Unit:mV)				
Efficiency (AC Input 90V/50Hz, Output Max Load)						
A short circuit placed between DC return and output shall cause no damage and the power supply shall shut down.						
2: AC Input 220V/50Hz		Judgement 01				
DC Output 0.05A Load (DC output no load)		OutputValtageValue(Unit:V)				
		ripple&noise (Unit:mV)				
		Input AC Power (Unit:W)				
DC Output 50% max Load (DC output 0.5A load)		OutputValtageValue(Unit:V)				
		ripple&noise (Unit:mV)				
		Input AC Power (Unit:W)				
DC Output 100% Load (DC output 1.0A load)		OutputValtage Value(Unit:V)				
		ripple&noise (Unit:mV)				
Efficiency (AC Input 220V/50Hz, Output Max Load)						
A short circuit placed between DC return and output shall cause no damage and the power supply shall shut down.						
3: AC Input 270V/50Hz		Judgement 02				
DC Output 0.05A Load (DC output no load)		OutputValtageValue(Unit:V)				
		ripple&noise (Unit:mV)				
		Input AC Power (Unit:W)				
DC Output 50% max Load (DC output 0.5A load)		OutputValtageValue(Unit:V)				
		ripple&noise (Unit:mV)				
		Input AC Power (Unit:W)				
DC Output 100% Load (DC output 1.0A load)		OutputValtage Value(Unit:V)				
		ripple&noise (Unit:mV)				
Efficiency (AC Input 270V/50Hz, Output Max Load)						
A short circuit placed between DC return and output shall cause no damage and the power supply shall shut down.						
HI-POT TEST Pri--to---GND 3000Vac/3mA/60S						
Integrated Gudgement:		Judgement 03				
	PASS	Check by Pan		Date	2006-12	

DWG TITLE: SWITCHING POWER ADAPTOR 5 Watt. 5V@1A, SINGLE OUTPUT. Wall TYPE INPUT, ITE, CLASS II FE;			
HAITONG ELECTRONIC (QUANZHOU) CO., LTD	MODEL NO:	ADPA05	REV:1.0
泉州市海通电子设备有限公司	PART NO:		SHEET 10 of 14

PROPRIETARY INFORMATION: PROPRIETARY HAITONG ELECTRONIC CO., LTD. ANY REPRODUCTION, DISCLOSURE OR USE OF THIS DRAWING IN WHOLE OR IN PART, IS HEREBY PROHIBITED EXCEPT AS SPECIFIED IN WRITING BY HAITONG ELECTRONIC CO., LTD.	REVISION			
	REV	DESCRIPTION	DATE	APPROVED
	A	INITIAL RELEASE	200-02-22	
	B	REDRAW TO NEW FORMAT,		

11. Power Adaptor Sample EMI Test Report

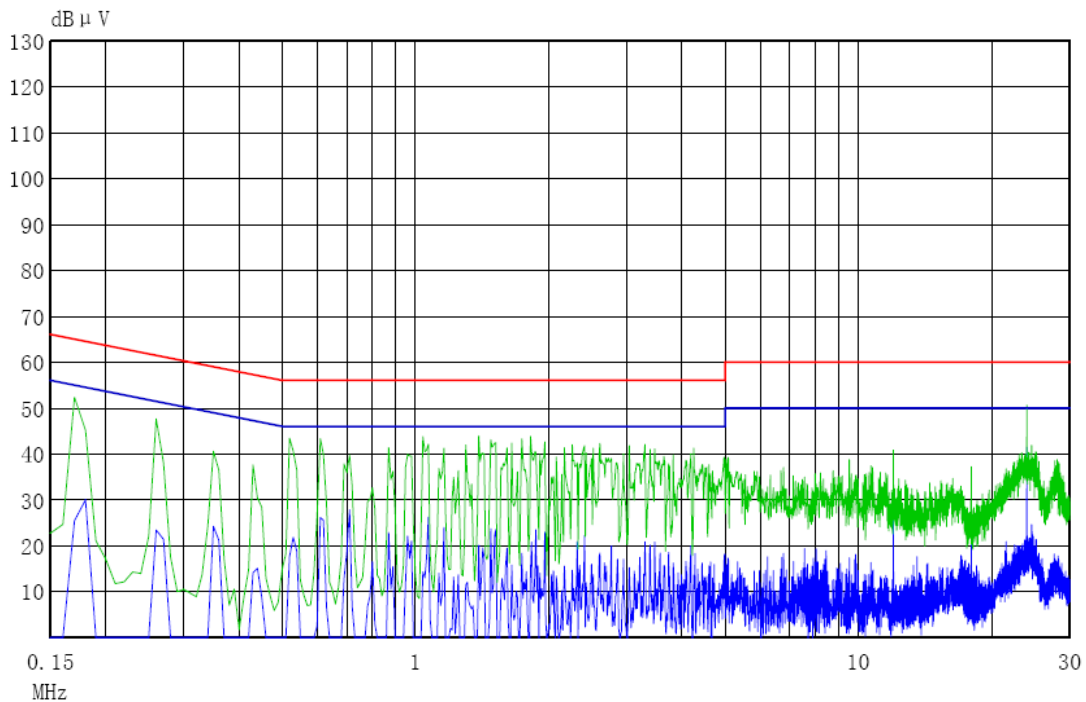
EMI----CE EN55022 测试报告见附页。

测试条件: "T" DVB + POWER + output to GND.

EMC300A电磁兼容·传导干扰测试报告

名称: ADAPTOR	编号: 1-L
型号: ADPA05	规格: 5V/1.10A
温度: °C	湿度: %
制造商:	检测单位:
操作员:	引用标准: EN55022
测试日期: 2006-11-15	

扫频参数			接收机		
开始	停止	步长	带宽	测试项目	测试时间
0.15MHz	30.00MHz	10kHz	9kHz	峰值、平均值	10mS



备注:

DWG TITLE: SWITCHING POWER ADAPTOR 5 Watt. 5V@1A, SINGLE OUTPUT. Wall TYPE INPUT, ITE, CLASS II FE;			
HAITONG ELECTRONIC (QUANZHOU) CO., LTD	MODEL NO:	ADPA05	REV:1.0
泉州市海通电子设备有限公司	PART NO:		SHEET 11 of 14

PROPRIETARY INFORMATION: PROPRIETARY HAITONG ELECTRONIC CO., LTD. ANY REPRODUCTION, DISCLOSURE OR USE OF THIS DRAWING IN WHOLE OR IN PART, IS HEREBY PROHIBITED EXCEPT AS SPECIFIED IN WRITING BY HAITONG ELECTRONIC CO., LTD.	REVISION			
	REV	DESCRIPTION	DATE	APPROVED
	A	INITIAL RELEASE	200-02-22	
	B	REDRAW TO NEW FORMAT,		

11. Power Adaptor Sample EMI Test Report

EMI----CE EN55022 测试报告见附页。

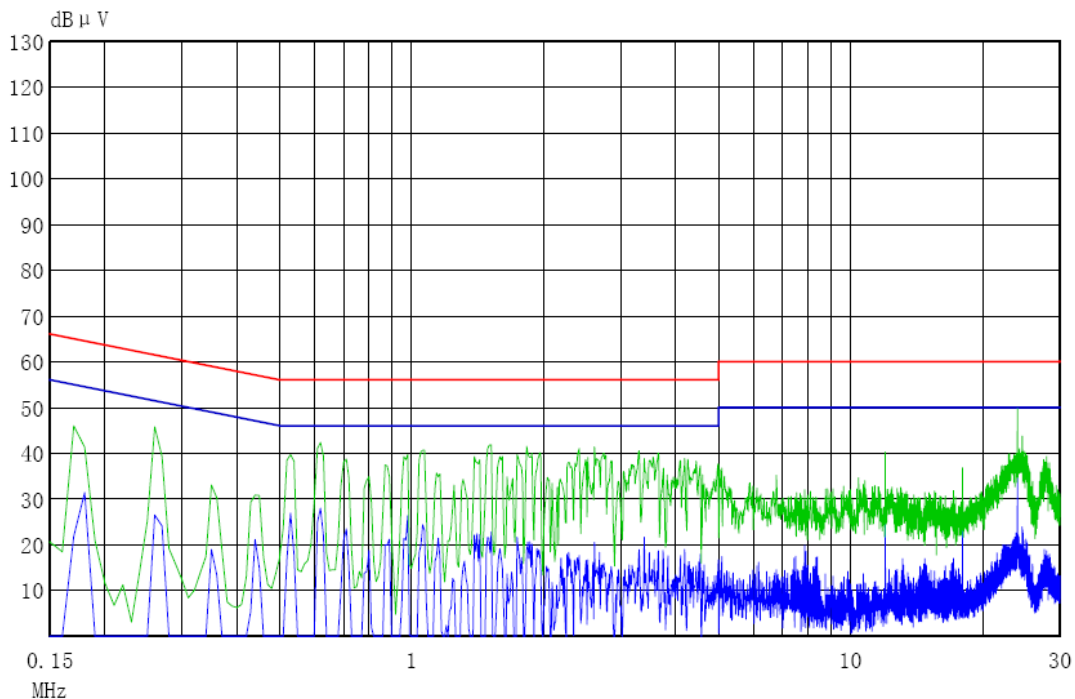
测试条件: "T" DVB + POWER + output to GND.

EMC300A电磁兼容·传导干扰测试报告

名称:	ADAPTOR	编号:	1-N
型号:	ADPA05	规格:	5V/1.10A
温度:	℃	湿度:	%
制造商:		检测单位:	
操作员:		引用标准:	EN55022
测试日期:	2006-11-15		

扫频参数

频率			接收机		
开始	停止	步长	带宽	测试项目	测试时间
0.15MHz	30.00MHz	10kHz	9kHz	峰值、平均值	10mS



备注:

DWG TITLE: SWITCHING POWER ADAPTOR 5 Watt. 5V@1A, SINGLE OUTPUT. Wall TYPE INPUT, ITE, CLASS II FE;			
HAITONG ELECTRONIC (QUANZHOU) CO., LTD	MODEL NO:	ADPA05	REV:1.0
泉州市海通电子设备有限公司	PART NO:		SHEET 12 of 14

PROPRIETARY INFORMATION: PROPRIETARY HAITONG ELECTRONIC CO., LTD. ANY REPRODUCTION, DISCLOSURE OR USE OF THIS DRAWING IN WHOLE OR IN PART, IS HEREBY PROHIBITED EXCEPT AS SPECIFIED IN WRITING BY HAITONG ELECTRONIC CO., LTD.	REVISION			
	REV	DESCRIPTION	DATE	APPROVED
	A	INITIAL RELEASE	200-02-22	
	B	REDRAW TO NEW FORMAT,		

11. Power Adaptor Sample EMI Test Report

EMI----CE EN55022 测试报告见附页。

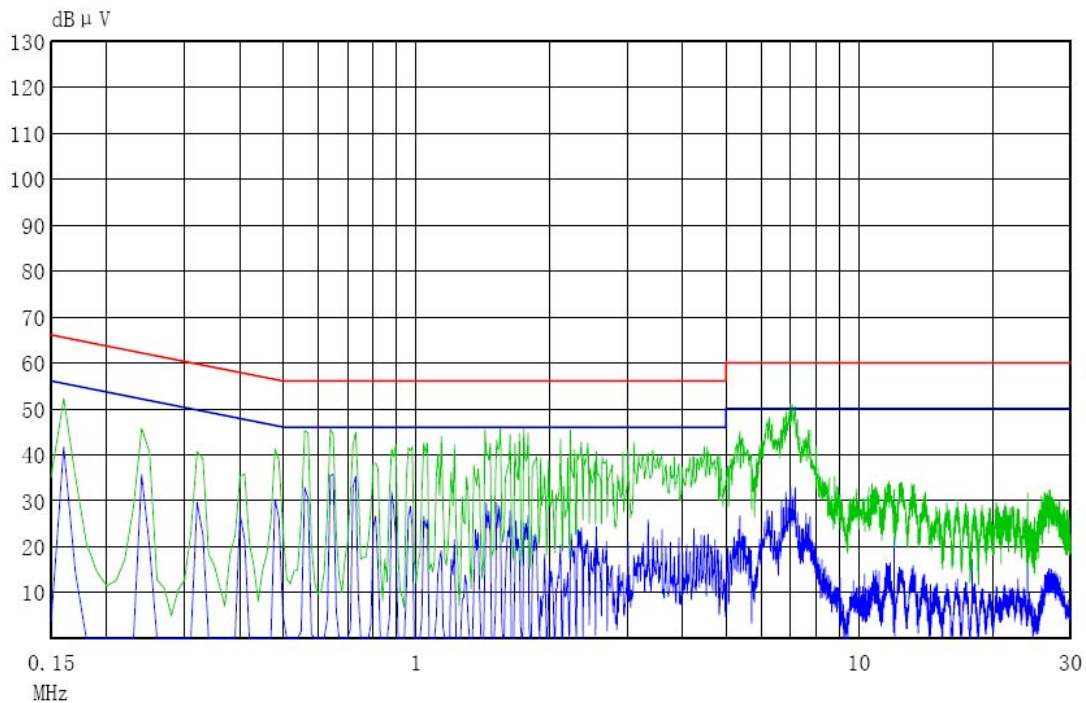
测试条件: "T" DVB + POWER + output to GND.

EMC300A电磁兼容·传导干扰测试报告

名称: ADAPTOR	编号: 2-L
型号: ADPA05	规格: 5V/1.1A
温度: ℃	湿度: %
制造商:	检测单位:
操作员:	引用标准: EN55022
测试日期: 2006-11-28	

扫频参数

频率			接收机		
开始	停止	步长	带宽	测试项目	测试时间
0.15MHz	30.00MHz	10kHz	9kHz	峰值、平均值	10mS



备注:

DWG TITLE: SWITCHING POWER ADAPTOR 5 Watt. 5V@1A, SINGLE OUTPUT. Wall TYPE INPUT, ITE, CLASS II FE;			
HAITONG ELECTRONIC (QUANZHOU) CO., LTD	MODEL NO:	ADPA05	REV:1.0
泉州市海通电子设备有限公司	PART NO:		SHEET 13 of 14

PROPRIETARY INFORMATION: PROPRIETARY HAITONG ELECTRONIC CO., LTD. ANY REPRODUCTION, DISCLOSURE OR USE OF THIS DRAWING IN WHOLE OR IN PART, IS HEREBY PROHIBITED EXCEPT AS SPECIFIED IN WRITING BY HAITONG ELECTRONIC CO., LTD.	REVISION			
	REV	DESCRIPTION	DATE	APPROVED
	A	INITIAL RELEASE	200-02-22	
	B	REDRAW TO NEW FORMAT,		

11. Power Adaptor Sample EMI Test Report

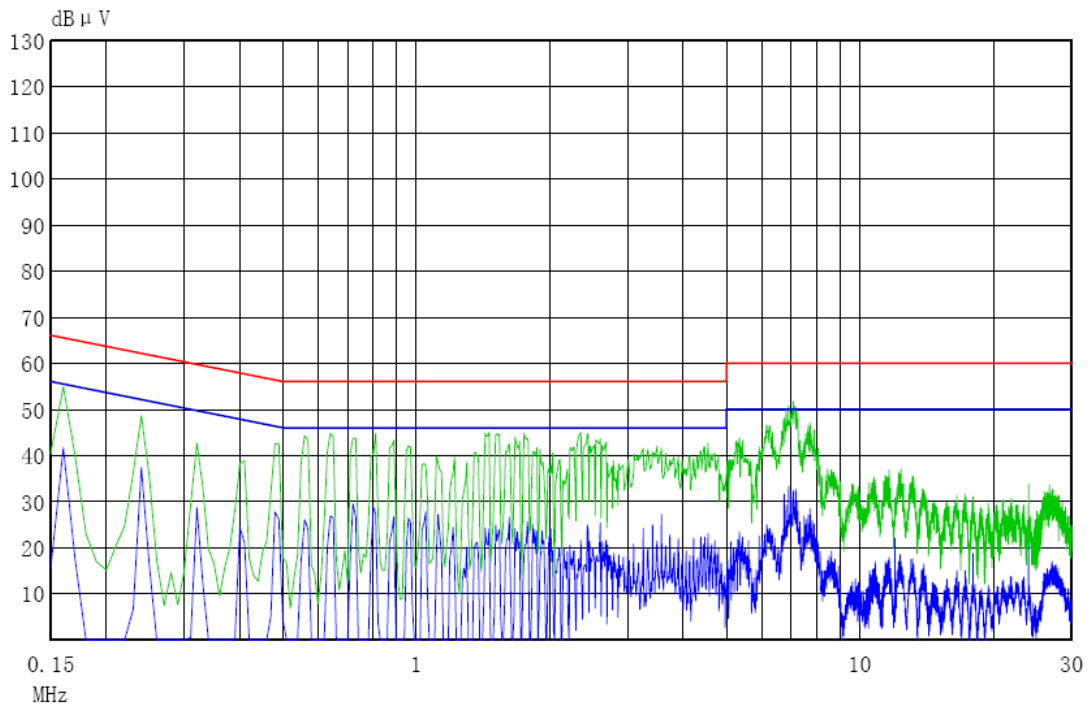
EMI----CE EN55022 测试报告见附页。

测试条件: "T" DVB + POWER + output to GND.

EMC300A电磁兼容·传导干扰测试报告

名称: ADAPTOR	编号: 2-N
型号: ADPA05	规格: 5V/1.1A
温度: °C	湿度: %
制造商:	检测单位:
操作员:	引用标准: EN55022
测试日期: 2006-11-28	

扫频参数			接收机		
开始	频率 停止	步长	带宽	测试项目	测试时间
0.15MHz	30.00MHz	10kHz	9kHz	峰值、平均值	10mS



备注:

DWG TITLE: SWITCHING POWER ADAPTOR 5 Watt. 5V@1A, SINGLE OUTPUT. Wall TYPE INPUT, ITE, CLASS II FE;			
HAITONG ELECTRONIC (QUANZHOU) CO., LTD	MODEL NO:	ADPA05	REV: 1.0
泉州市海通电子设备有限公司	PART NO:		SHEET 14 of 14