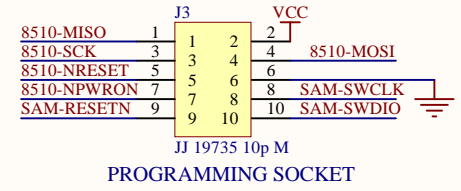
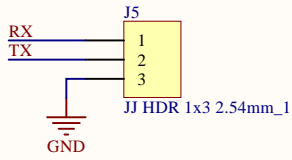
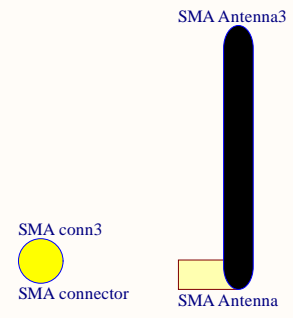
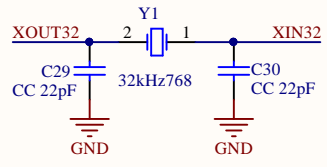
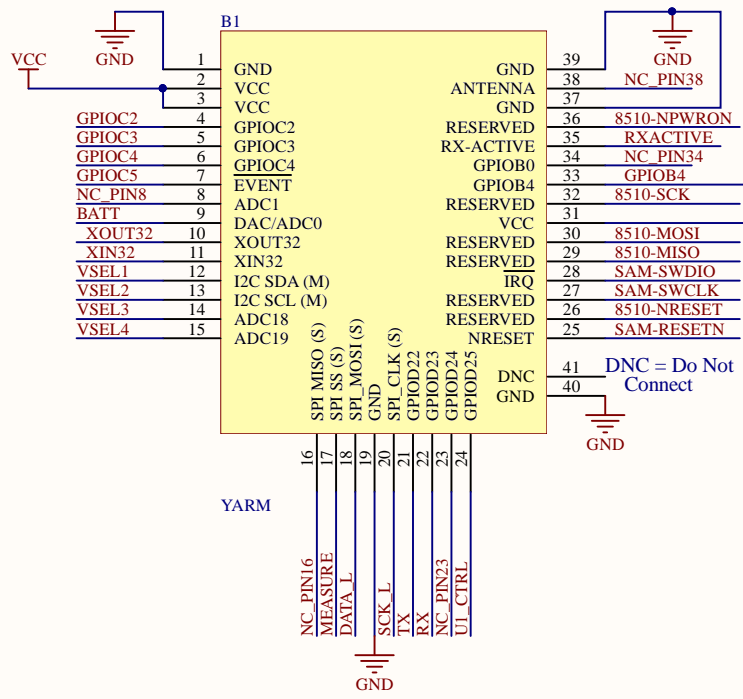


Ver.A -> Step Up, Vsens=5V
Ver.B -> Bypass, Vsens=Vcc

- Fid 3
- Fid 4
- Fid 1
- Fid 2



| | | | |
|---|----------------|-----------|--------------------|
| Title ACME-SYN-01_YARM | | | ACME Systems srl |
| Size: A4 | Number: | Revision: | www.acmesystems.it |
| Date: 13/03/2017 | Time: 23:49:47 | Sheet4 of | |
| File: Y:\hubiC\ProgettiCustom\ACME-SYN-01\ACME-SYN-01_YARM.SchDoc | | | |

